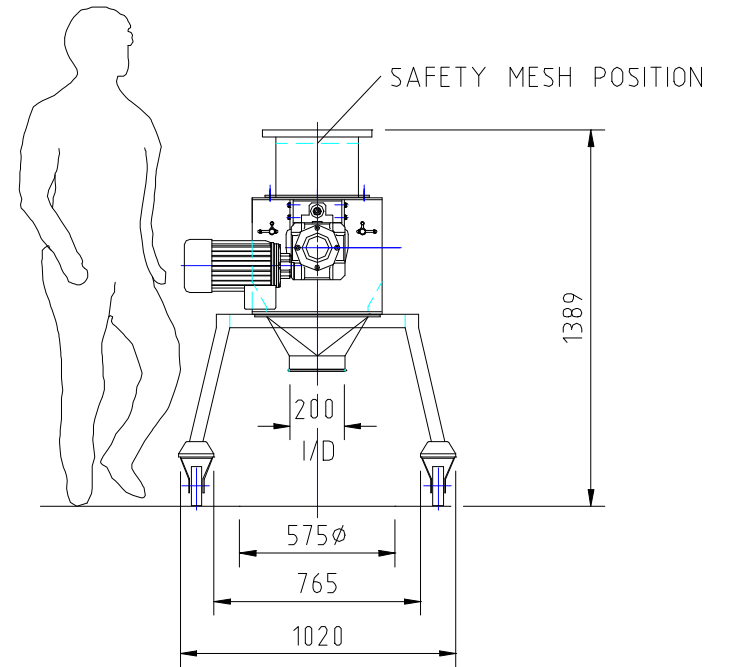
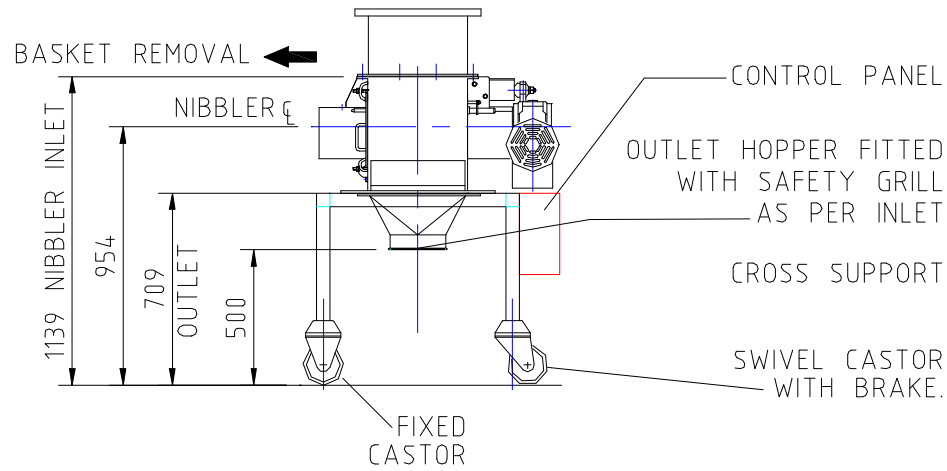


SAFETY GRILL DETAIL ON INLET & OUTLET



IF IN DOUBT ASK

DO NOT SCALE

DRAWN APH 12/02/02

CHK'D

APPR'D

SCALE 1:20

P No

**Gericke**

PHONE : 0161-344-1140  
 FAX : 0161-308-3403  
 E MAIL ADDRESS :  
 sales.uk@gericke.net  
 eng.uk@gericke.net

VICTORIA HOUSE  
 CAVENDISH STREET,  
 ASHTON UNDER LYNE,  
 LANCOS OL6 7DJ.

THIS DRAWING IS THE PROPERTY OF GERICKE LTD AND MUST NOT BE COPIED, USED OR PASSED TO ANY THIRD PARTY UNLESS WRITTEN PERMISSION IS OBTAINED FROM GERICKE LTD.

CUSTOMER R19

TITLE  
 GA OF N300X350 NIBBLER ON STAND

DRG No N300X350/51

REV A

SHT A3

A	REV. NO.	SEE NOTE PAD MODIFICATION	18/02/02 DATE	APH SIG