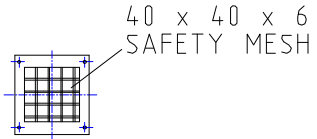
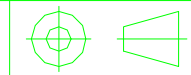
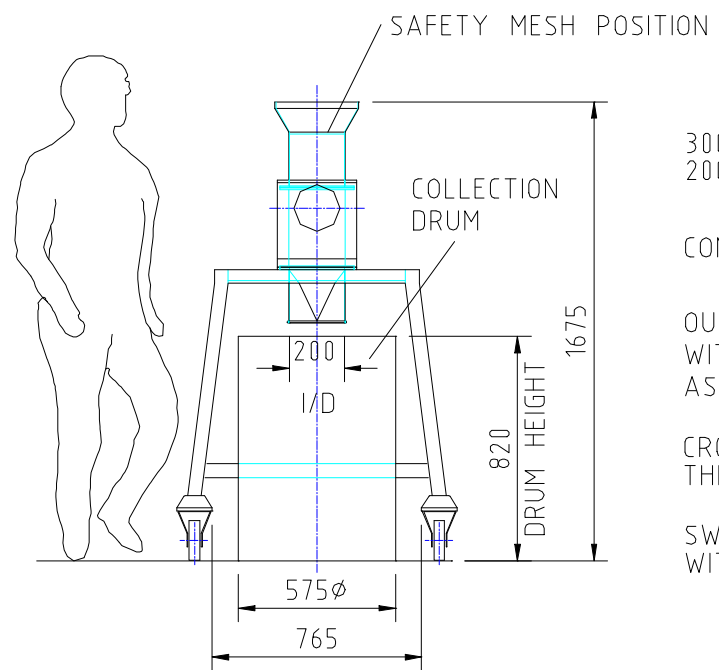
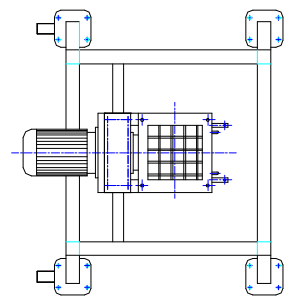


1 ALL DIMENSIONS IN MILLIMETRES 2 DO NOT SCALE IF IN DOUBT ASK 3 REMOVE ALL BURRS AND SHARP EDGES 4 DRAWING TO BE REFERENCED TO PURCHASING PROCEDURE PI 014 5



SAFETY GRILL DETAIL
ON INLET & OUTLET



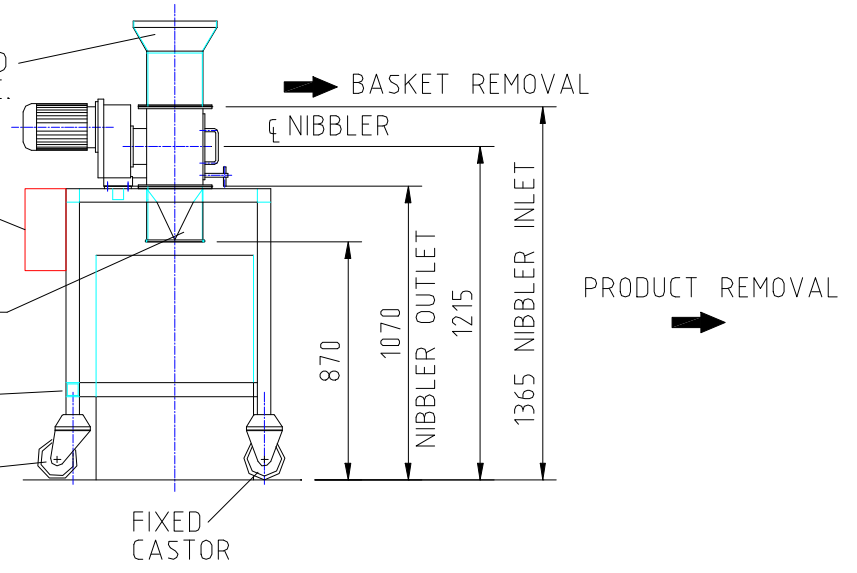
300 SQUARE REDUCING TO
200 SQUARE INLET CHUTE.

CONTROL PANEL

OUTLET HOPPER FITTED
WITH SAFETY GRILL
AS PER INLET

CROSS SUPPORT
THIS END ONLY

SWIVEL CASTOR
WITH BRAKE.



1	G.A. NBS 200 x 200 NIBBLER STATION		P36157/1		
ITEM	DESCRIPTION	MATERIAL	DRG. REF.	PART NO.	REMARKS

DRAWING PREPARED TO BS308: LIMITS AND FITS TO BS4500;
SCREW THREADS: ISO METRIC COARSE, MEDIUM FIT, TO BS3643;
WELDING TERMS & SYMBOLS TO BS499;
CONTINUOUS WELDING UNLESS OTHERWISE STATED
KEYWAYS TO BS4325 PT1

FILLET WELD SIZES		
MATERIAL THICKNESS	FILLET WELD SIZE	
1.5mm TO 3mm	2mm LEG LENGTH	
4mm TO 8mm	5mm LEG LENGTH	
9mm TO 18mm	10mm LEG LENGTH	

TOLERANCES:	MACHINED	UNMACHINED
150mm & LESS	+ OR - 0.5mm	+ OR - 1.0mm
ABOVE 150mm	+ OR - 1.0mm	+ OR - 1.5mm

DRAWN AM 20/07/00
CHK'D
APPR'D
SCALE 20

Gericke
PHONE : 0161-344-1140 VICTORIA HOUSE
FAX : 0161-308-3403 CAVENDISH STREET,
E MAIL ADDRESS : ASHTON UNDER LYNE,
sales.uk@gericke.net LANCS OL6 7DJ.
eng.uk@gericke.net

CUSTOMER GERICKE IUKI LTD
TITLE
G.A. NBS 200 x 200 NIBBLER STATION

P No P36157

THIS DRAWING IS THE PROPERTY OF GERICKE LTD AND MUST NOT BE COPIED, USED OR PASSED TO ANY THIRD PARTY UNLESS WRITTEN PERMISSION IS OBTAINED FROM GERICKE LTD.

DRG No P36157/1 REV SHT A3

REV	REV. NO.	MODIFICATION	DATE	SIG