

1 2 3 4 5

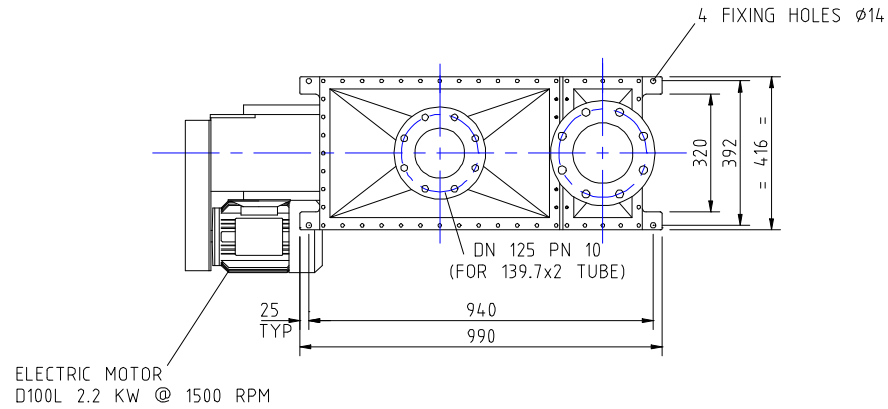
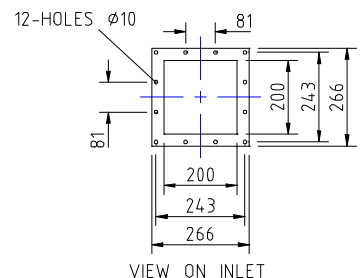
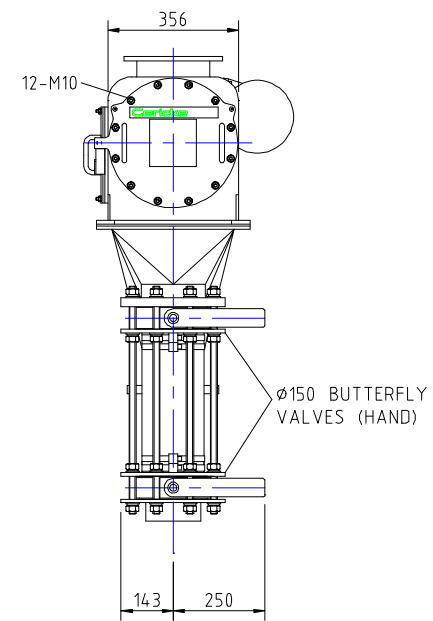
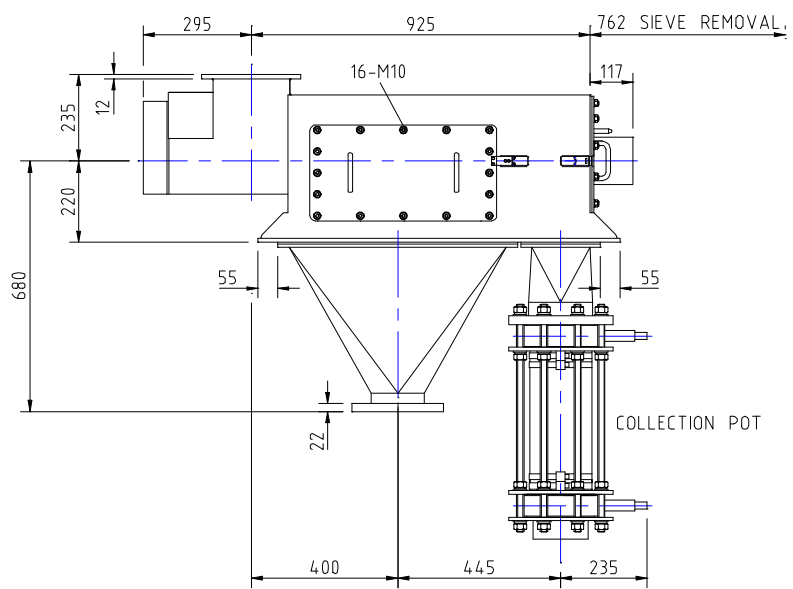
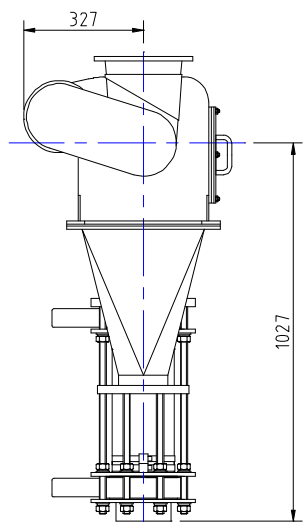
E

D

C

B

A



ELECTRIC MOTOR  
D100L 2.2 KW @ 1500 RPM

SUITABLE FOR 1 BAR G WORKING PRESSURE  
(HYDRAULICALLY TESTED TO 1.5 BAR G)  
NETT WEIGHT 200 Kg (APPROX)  
NOISE LEVEL MACHINE  
RUNNING EMPTY 70 dbA @ 1Mtr

<p>IF IN DOUBT ASK</p> <p>DO NOT SCALE</p>	<p>REV. REV. NO. MODIFIKATION DATE SIG</p>	<p>DRAWN IH</p> <p>CHK'D</p> <p>APPR'D</p> <p>SCALE 10</p> <p>P No</p>	<p><b>Gericke</b></p> <p>PHONE : 0161-344-1140 VICTORIA HOUSE : 0161-308-3403 CAVENDISH STREET, E MAIL ADDRESS : ASHTON UNDER LYNE, sales.uk@gericke.net LANC'S OL6 7DJ. eng.uk@gericke.net</p> <p>THIS DRAWING IS THE PROPERTY OF GERICKE LTD AND MUST NOT BE COPIED, USED OR PASSED TO ANY THIRD PARTY UNLESS WRITTEN PERMISSION IS OBTAINED FROM GERICKE LTD.</p>	<p>CUSTOMER STANDARD</p> <p>TITLE GA IN LINE SIFTER WITH FINES HOPPER AND OVERSIZE POT</p> <p>DRG No S722A/542</p>	
				<p>REV</p> <p>SHT AZF</p>	