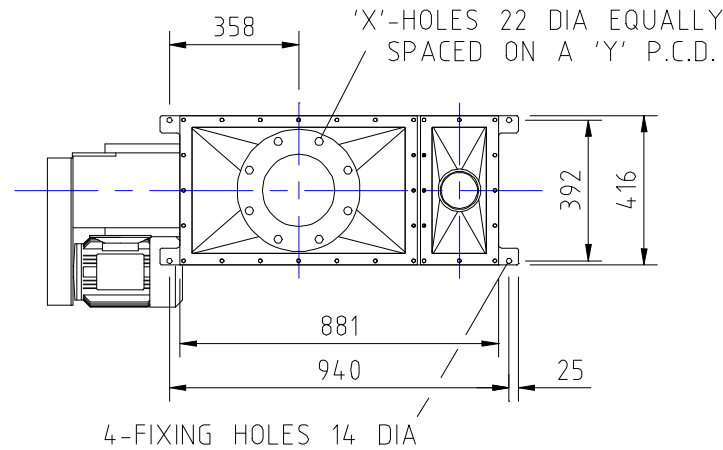
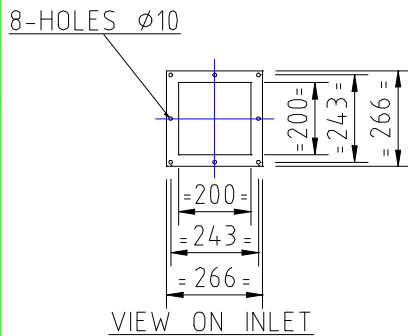


ALTERNATIVE ANGLED
OVERSIZE OUTLET



WHEN ORDERING PLEASE SPECIFY
YOUR PREFERRED HOPPER SIZE

φ 'A'	'B'	φ 'C'	'X'	'Y'
150	626	285	8	240
200	601	340	8	295
250	551	395	12	350

IF IN DOUBT ASK

DO NOT SCALE

DRAWN IH 06/12/95

Gericke

CUSTOMER

CHK'D

PHONE : 061-344-1140 VICTORIA HOUSE
FAX : 061-308-3403 CAVENDISH STREET,
TELEX : 669426 ASHTON UNDER LYNE,
LANCS OL6 7DJ.

TITLE
CSM 722 MK II WITH HOPPERS

APPR'D

SCALE

DRG No S722A/129

REV	REV. NO.	MODIFICATION	DATE	SIG
B	M0792	SEE MOD NOTE	20/02/97	APH
A	M0462	SEE MOD NOTE M0462	08/02/96	IH

P No

THIS DRAWING IS THE PROPERTY OF GERICKE LTD AND MUST
NOT BE COPIED, USED OR PASSED TO ANY THIRD PARTY
UNLESS WRITTEN PERMISSION IS OBTAINED FROM GERICKE LTD.

REV B
SHT A3