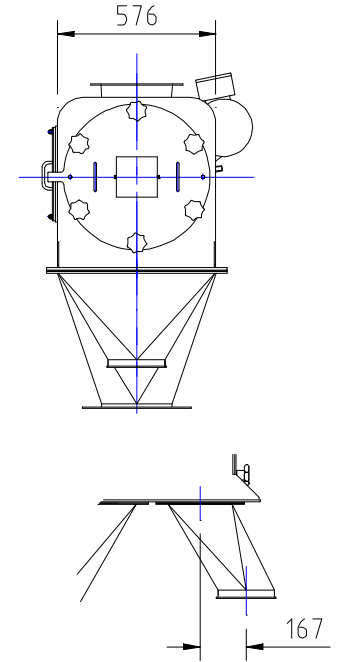
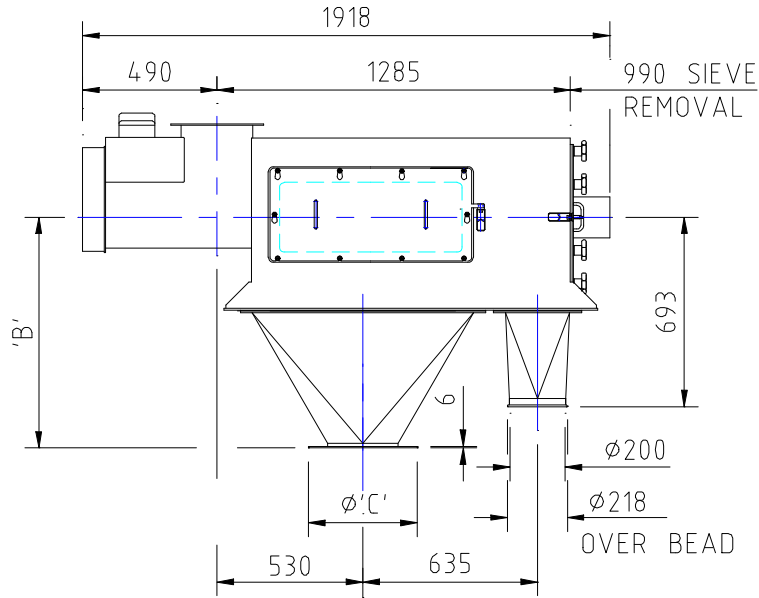
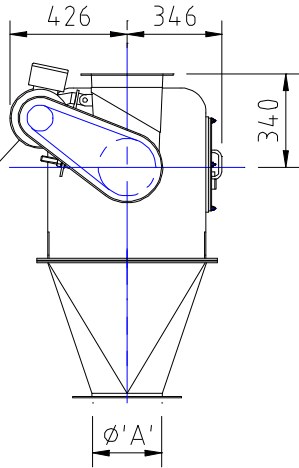
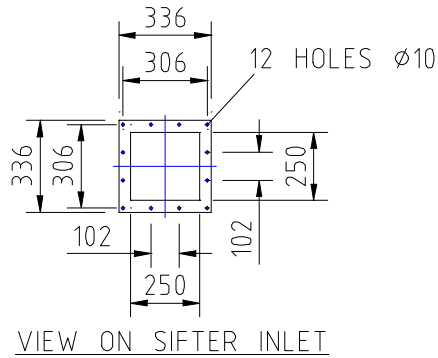


ELECTRIC MOTOR
 FRAME SIZE D112M
 4.0Kw AT 1420 RPM

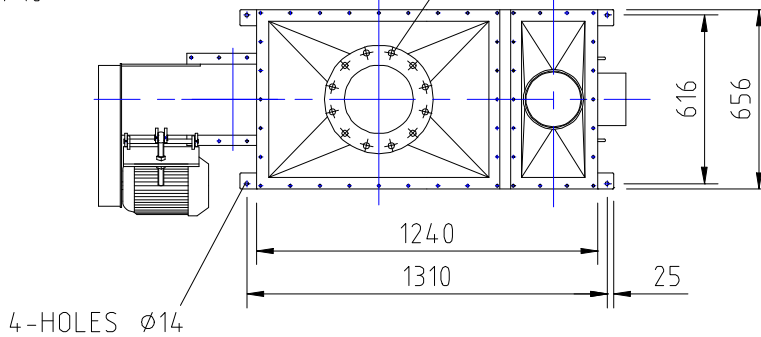


ALTERNATIVE ANGLED
 OVERSIZE OUTLET



VIEW ON SIFTER INLET

'X'-HOLES 22 DIA EQUALLY
 SPACED ON A 'Y' P.C.D.



4-HOLES Ø14

WHEN ORDERING PLEASE SPECIFY
 YOUR PREFERRED HOPPER SIZE

Ø 'A'	'B'	Ø 'C'	'X'	'Y'
200	896	340	8	295
250	866	395	12	350
300	821	445	12	400
380	766	550	12	495

IF IN DOUBT ASK

DO NOT SCALE

DRAWN IH 07/12/95

Gericke

CHK'D

PHONE : 061-344-1140 VICTORIA HOUSE
 FAX : 061-308-3403 CAVENDISH STREET,
 TELEX : 669426 ASHTON UNDER LYNE,
 LANCOS OL6 7DJ.

APPR'D

SCALE 1:20

CUSTOMER

TITLE
 CSM 1130 MK2 WITH HOPPERS

P No

THIS DRAWING IS THE PROPERTY OF GERICKE LTD AND MUST
 NOT BE COPIED, USED OR PASSED TO ANY THIRD PARTY
 UNLESS WRITTEN PERMISSION IS OBTAINED FROM GERICKE LTD.

DRG No S1130A/069

REV A

SHT A3

A	M0793	SEE MOD NOTE	10/02/97	APH
REV	REV. NO.	MODIFICATION	DATE	SIG