



Compact design & lightweight G308 centrifugal sifter

Efficient particle size classification & product screening

For over 100 years Gericke have earned an enviable reputation in the field of Solids Handling for their process know how, quality, efficiency and the reliability of equipment.

This is typified by the range of Centrifugal Sifting machines which have been used in countless applications to avoid product contamination and to ensure the consistent quality of finished product.

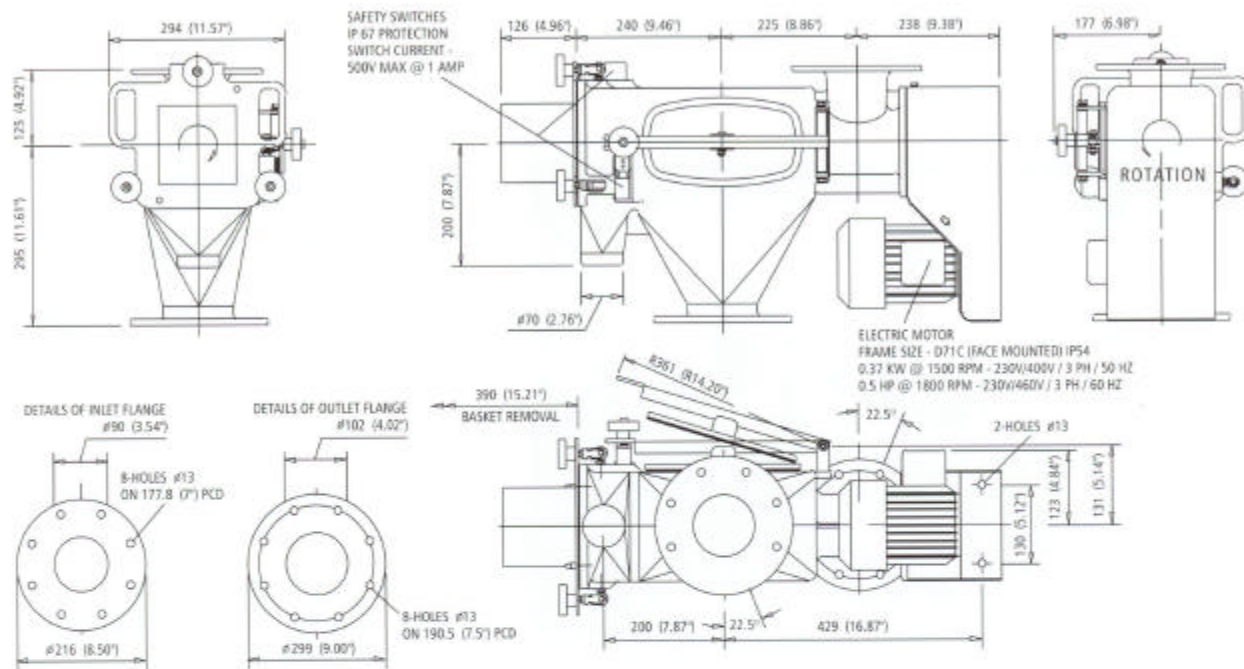
The G308 model has been specially designed for throughputs up to 500kg per hour (1000lbs per hour) using super fine mesh screens and for applications where space is limited.

Used prior to packing heads, paint spraying and for particle classification the compact and lightweight G308 is available in aluminium, carbon steel and stainless steel constructions

G308 Key features

- Interlocked hinged access door as standard
- Air purged double lip seals as standard
- Self locating quick release basket assembly
- Easily removable shaft assembly
- Shaft sleeves for quick disassembly and to increase seal life
- Quick release end door
- Captive end door hand clamps
- Easily removable gaskets for total cleanability
- Compact under slung belt drive
- No internal fasteners
- No special tools required

G308 Centrifugal Sifter



ALL DIMENSIONS ARE IN mm WITH INCHES IN BRACKETS

Products Processed

Flour
Salt
Corn Starch
Milk Powder
Sugar
Sodium Bicarbonate
Casein
Flavourings

Paint powder
Stearate
Phosphates
Resins
Colour pigments
China Clay
PVC blend
Kaolin

Planning dimensions for guidance only.
Please contact your local specialist for certified technical details.

Noise level: 70dba measured at one metre free field without product.

Machines available for trial at clients premises or our test centre.

Gericke

Powder Processing Equipment & Systems

Gericke Limited Victoria House, Cavendish Street,
Ashton-under-Lyne, Lancashire OL6 7DJ.
Telephone: 0161-344 1140. Fax: 0161-308 3403.
e-mail: info@gericke.net www.gericke.net

Gericke Pte Limited 436 Tagore Avenue, Singapore 2678.
Telephone: 0065 4528133. Fax: 0065 4520392.

CH-8105 Regensdorf
NL-3870 Hoevelaken

D-78239 Rielasingen
F-95100 Argenteuil

